



## APMS SUPERLINE PRO BLACK SERIES

MODELS: APMS38BE, APMS30CSS, APMS36BE, APMS30BE, APMS31BE  
APMS30CW, APMS42BE, APMS39BE, APMS40BE, APMS41BE, APMS37BE,  
APMS4PB, APMS43BE

Thank you for purchasing a Sealey product. Manufactured to a high standard, this product will, if used according to these instructions, and properly maintained, give you years of trouble free performance.

**IMPORTANT:** PLEASE READ THESE INSTRUCTIONS CAREFULLY. NOTE THE SAFE OPERATIONAL REQUIREMENTS, WARNINGS & CAUTIONS. USE THE PRODUCT CORRECTLY AND WITH CARE FOR THE PURPOSE FOR WHICH IT IS INTENDED. FAILURE TO DO SO MAY CAUSE DAMAGE AND/OR PERSONAL INJURY AND WILL INVALIDATE THE WARRANTY. KEEP THESE INSTRUCTIONS SAFE FOR FUTURE USE.



Refer to  
instructions



Wear protective  
gloves

### 1. SAFETY

- WARNING!** Ensure health & safety, local authority, and general workshop practice regulations are adhered to when using this storage system.
- ✓ Locate in a suitable work area.
- ✓ Keep the work area clean, uncluttered and ensure there is adequate lighting.
- WARNING!** Use storage on level and solid ground, preferably concrete.
- ✓ Keep the storage system clean and tidy in accordance with good workshop practice.
- ✓ Keep children and unauthorised persons away from the work area.
- ✗ **DO NOT** use the storage system for any purpose other than that for which it is designed.
- ✗ **DO NOT** use the storage system outdoors.
- ✗ **DO NOT** place the storage system in a damp or wet location or an area where there is condensation.
- ✗ **DO NOT** clean the storage system with any solvents which may damage the surfaces or the protective coating.
- ✗ **DO NOT** move the storage system when there are items placed inside.
- ✗ **DO NOT** step on the shelves.
- ✗ **DO NOT** overload the storage system.

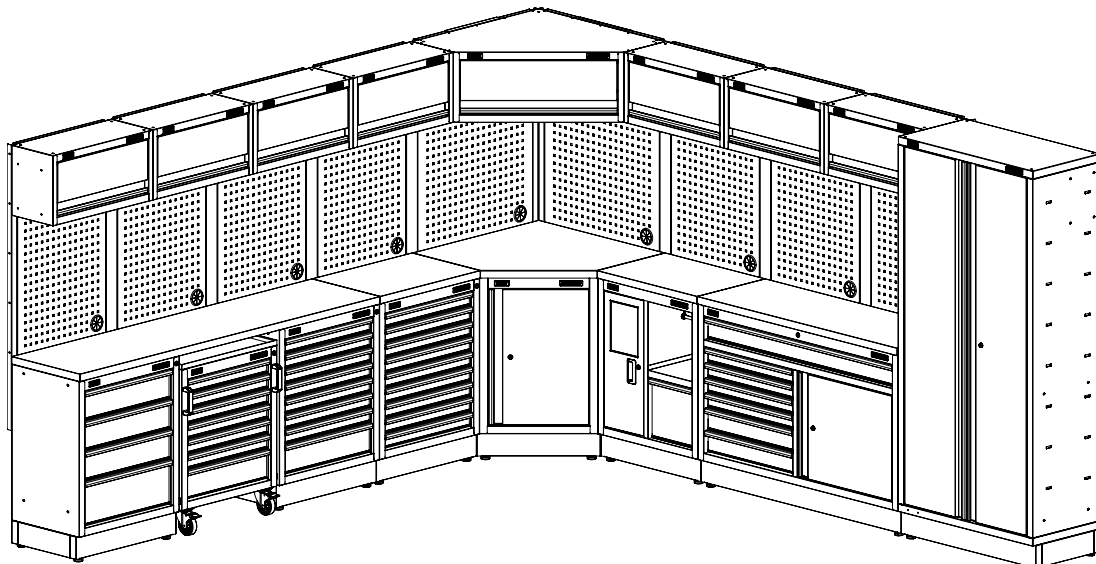
### 2. INTRODUCTION

Modular storage system ideal for any garage/workshop. Durable construction that will last for years. Easily adjusts to specific needs. Purchase a simple base cabinet or create a full workshop storage system. Standard features include:

- ✓ Modular design to enable easy upgrading.
- ✓ Tough and durable construction with high gloss finish on the doors and drawers.
- ✓ Adonised black handles and drawer pulls.
- ✓ Soft close Ball-bearing slides throughout.
- ✓ Choice of worktop - rubber wood or stainless steel.
- ✓ Gas struts on wall cabinet doors.
- ✓ Height adjusting feet.
- ✓ Floor cabinets feature adjustable shelves.
- ✓ Each unit supplied with a lock and two keys (except wall cabinets).

FIG.1

Example  
layout



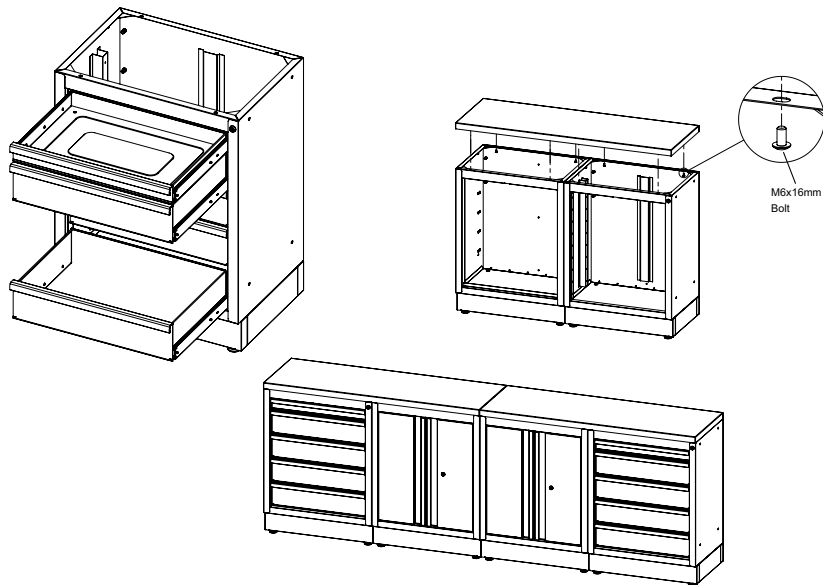
### 3. SPECIFICATION

	Model No:	Small Drawer	Medium Drawer	Large Drawer	Dimensions (W x D x H):
Cabinets & Drawers	APMS30BE				915 x 458 x 2000mm
	APMS31BE				600 x 460 x 2000mm
	APMS36BE				680 x 458 x 910mm
	APMS37BE	531 x 383 x 56mm		531 x 383 x 131mm	646 x 458 x 908mm
	APMS38BE	565 x 383 x 131mm		565 x 383 x 198mm	680 x 458 x 908mm
	APMS39BE	565 x 383 x 56mm		565 x 383 x 131mm	680 x 458 x 908mm
	APMS40BE	565 x 383 x 56mm			680 x 458 x 908mm
	APMS41BE	565 x 383 x 56mm	565 x 383 x 93mm	1245 x 383 x 80mm	1360 x 458 x 908mm Cupboard: 640 x 383 x 522mm
	APMS42BE				860 x 860 x 908mm
	APMS43BE				860 x 860 x 350mm
Pressed Wood Worktops	APMS30CW				860 x 860 x 38mm
Stainless Steel Worktops	APMS30CSS				860 x 860 x 38mm
		<b>Hole Dimensions:</b>	<b>Hole Distance:</b>		
Back Corner Panels	APMS4PB	10 x 10mm	38mm		782 x 25 x 1080mm

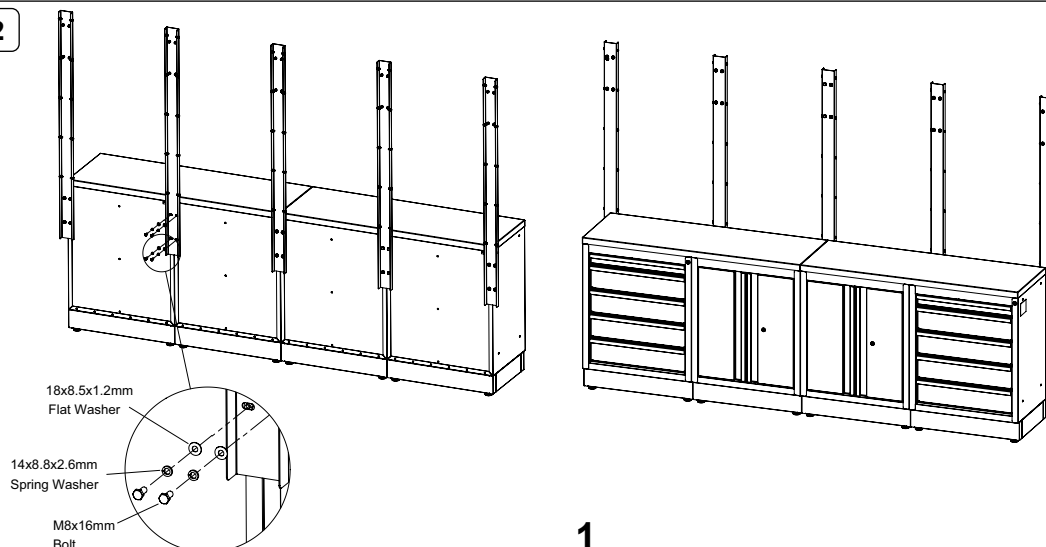
### 4. ASSEMBLY

**NOTE:** the steps below are an example using a range of drawers, cabinets, worktops, upright connectors and back panels.

#### STEP 1

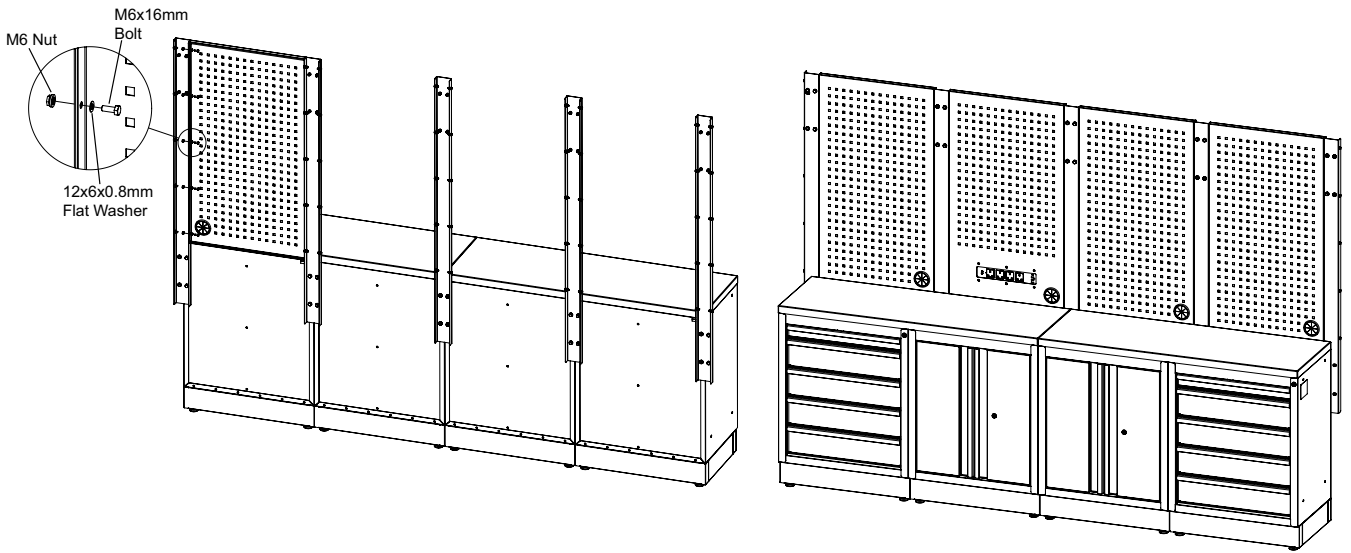


#### STEP 2

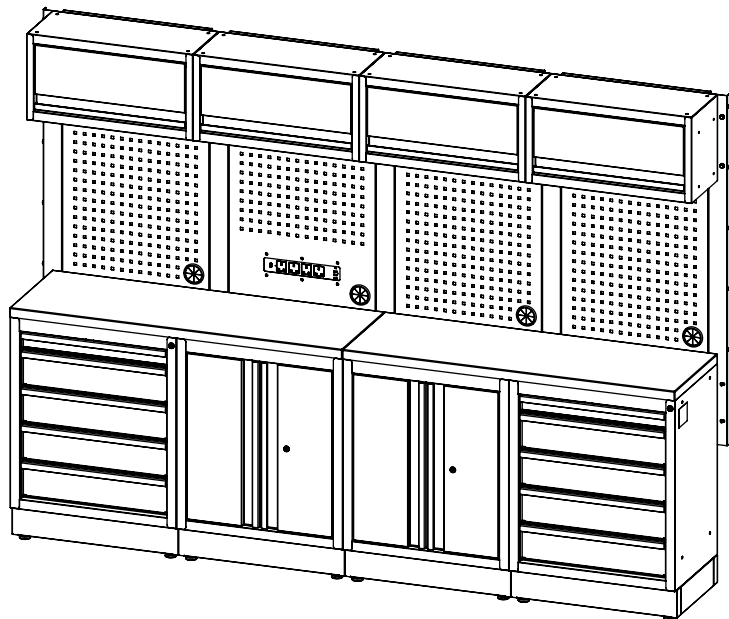
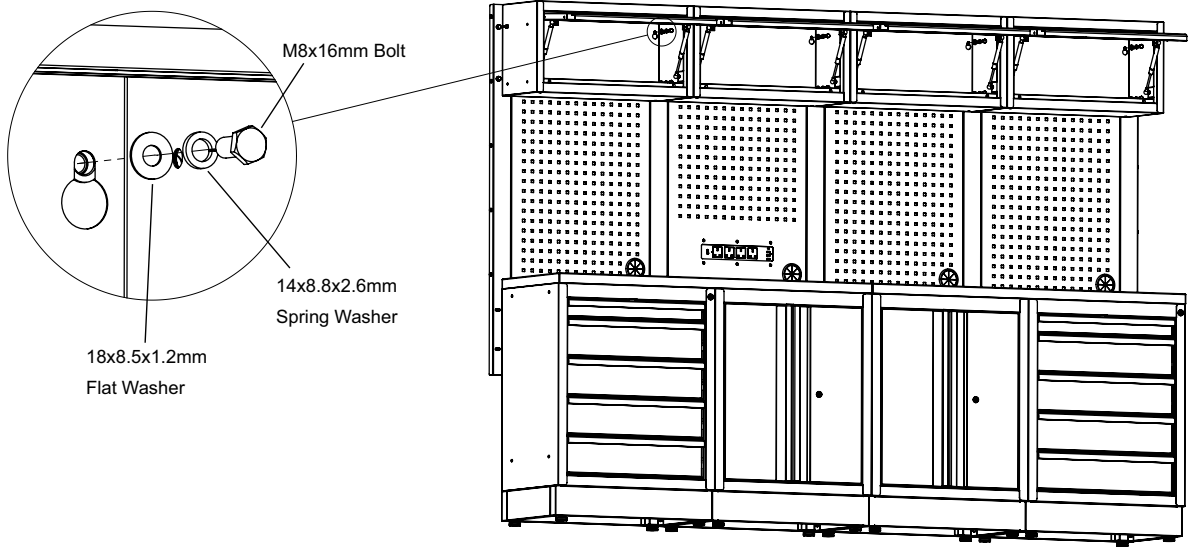


1

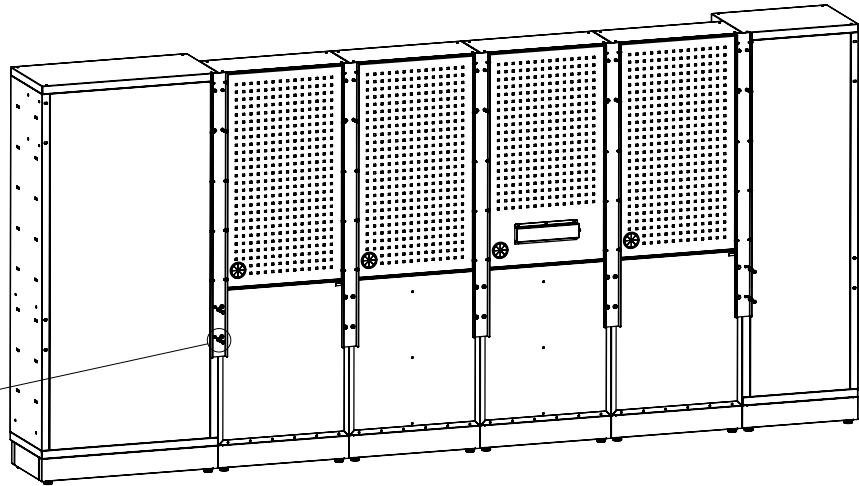
**STEP 3**



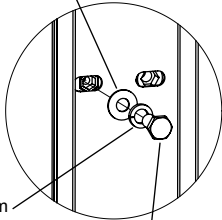
**STEP 4**



**STEP 5**



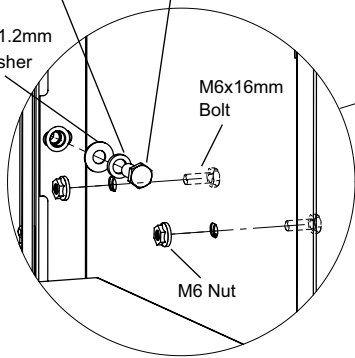
18x8.5x1.2mm  
Flat Washer



14x8.8x2.6mm  
Spring Washer

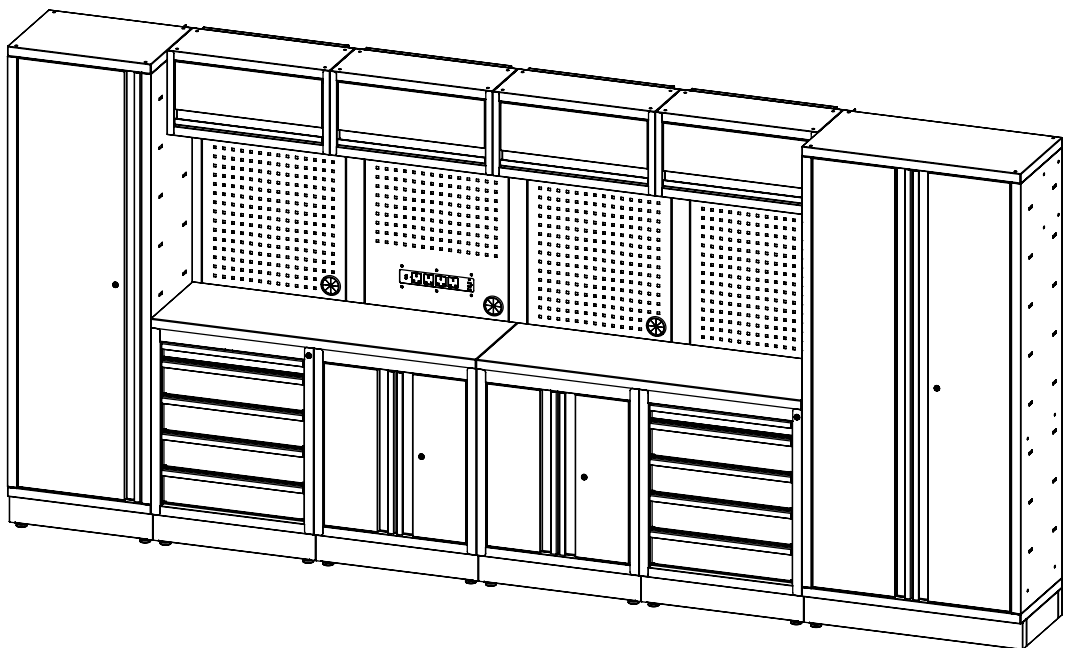
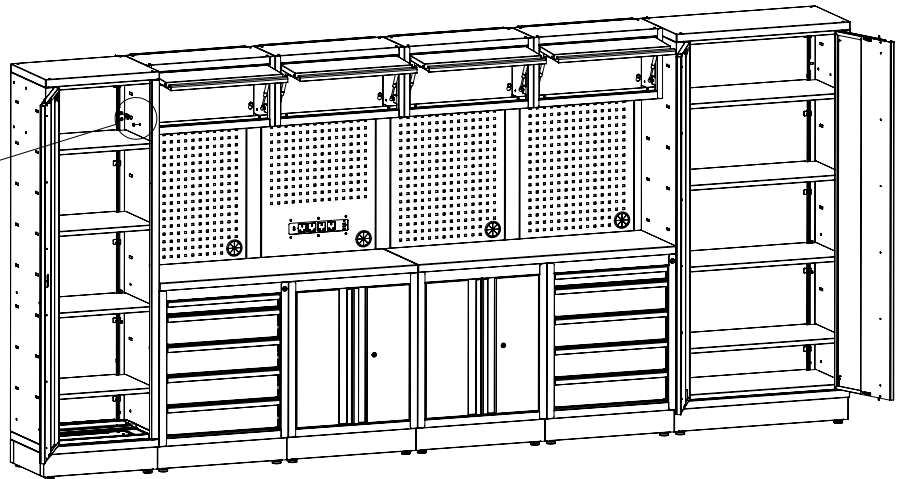
M8x16mm Bolt

18x8.5x1.2mm  
Flat Washer

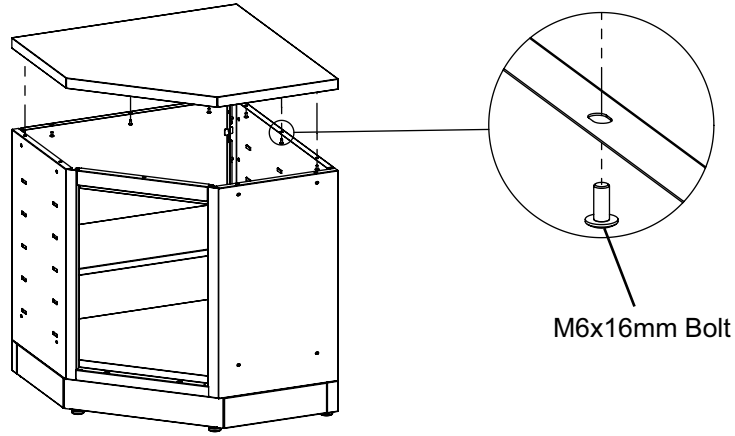


M6x16mm  
Bolt

M6 Nut

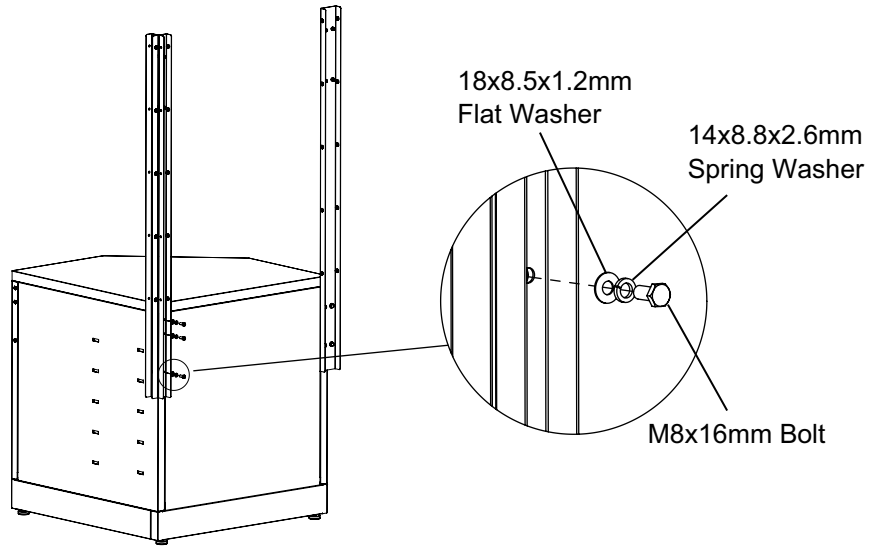


**STEP 6**

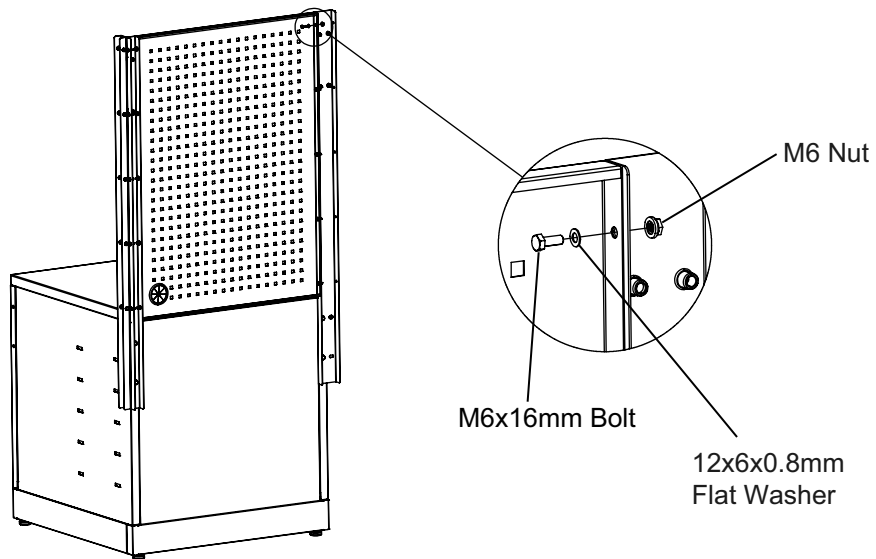


Refer to pages 12-14 for assembly

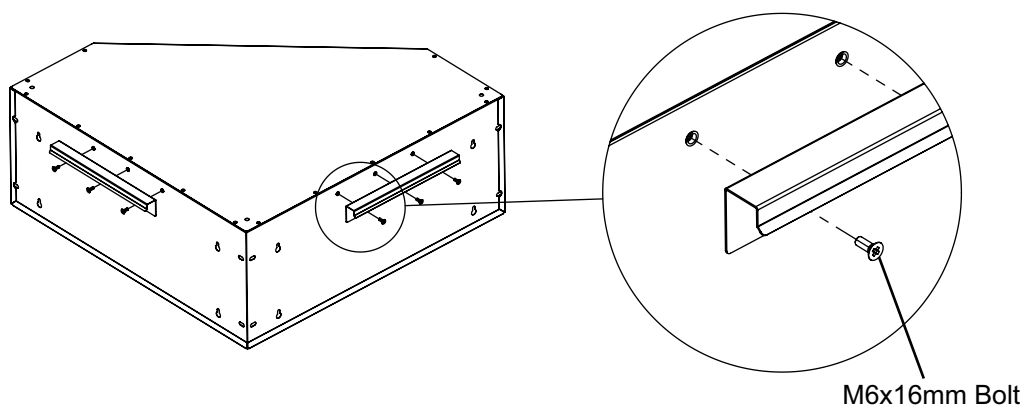
**STEP 7**



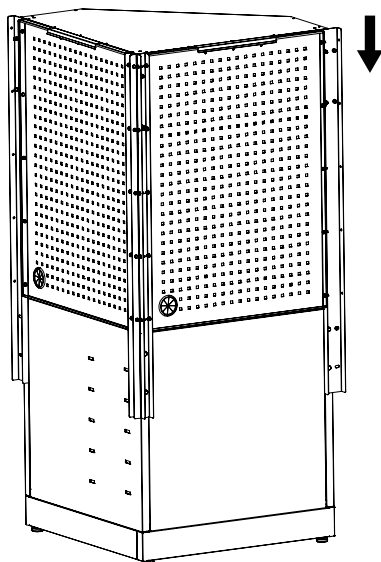
**STEP 8**



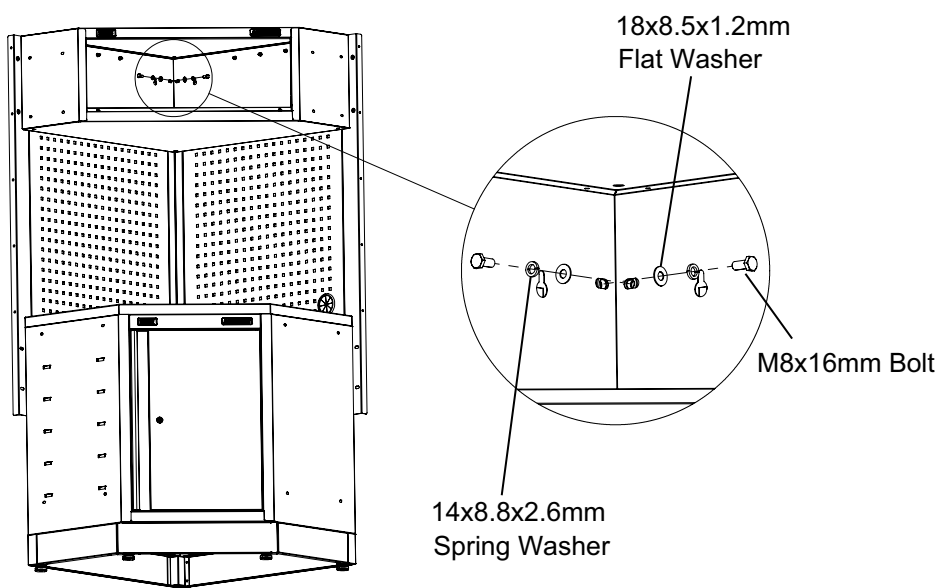
**STEP 9**



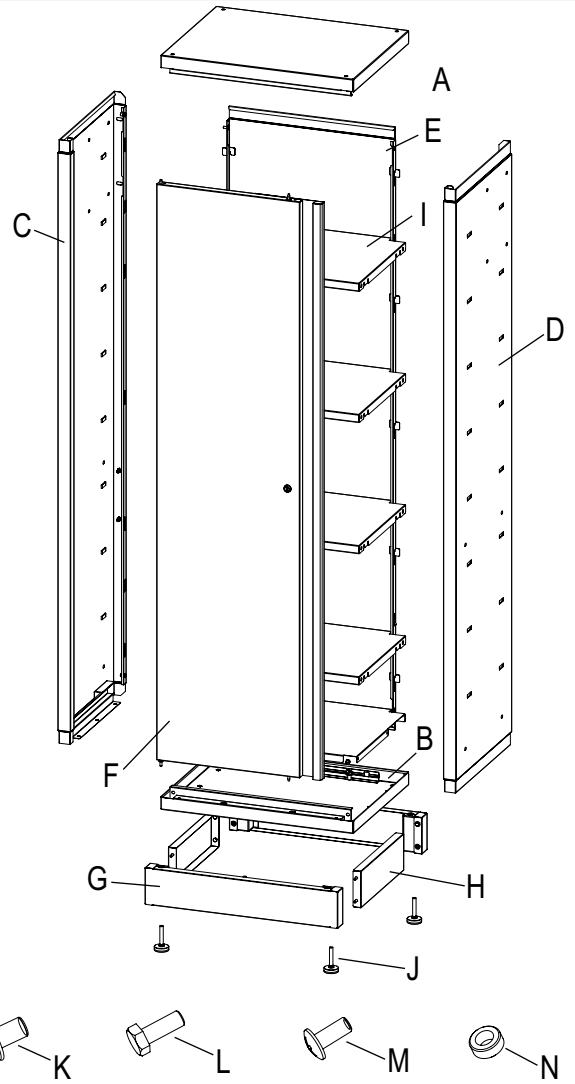
**STEP 10**



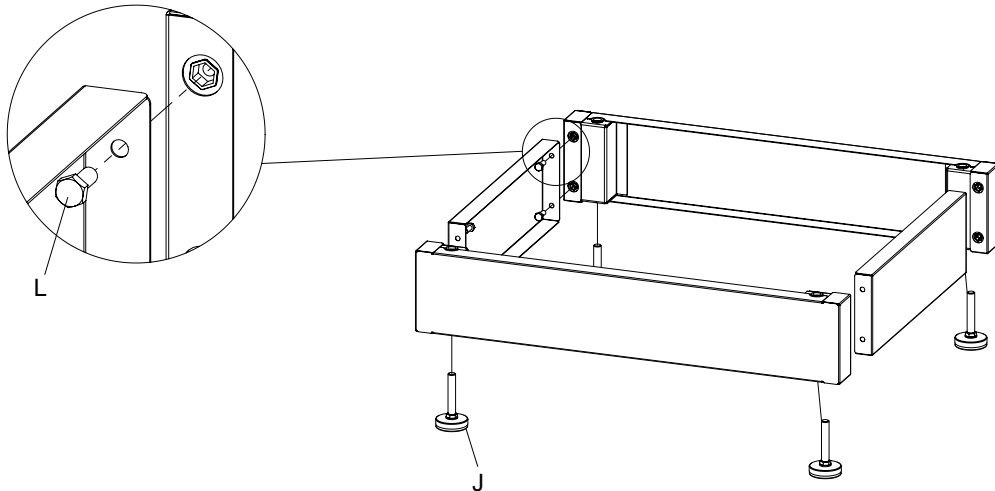
**STEP 11**



Item	Description	Qty
A	Top Panel	1
B	Bottom Panel	1
C	Left Side Panel	1
D	Right Side Panel	1
E	Back Panel	1
F	Door	1
G	Front Kick Panel	2
H	Side Kick Panel	2
I	Shelf Panel	4
J	Adjustable Feet	4
K	M10 x 16mm Bolt	4
L	M6 x 16mm Hex Bolt	16
M	M6 x 16mm Bolt	18
N	12 x 7 x 5mm Flat Washer	1

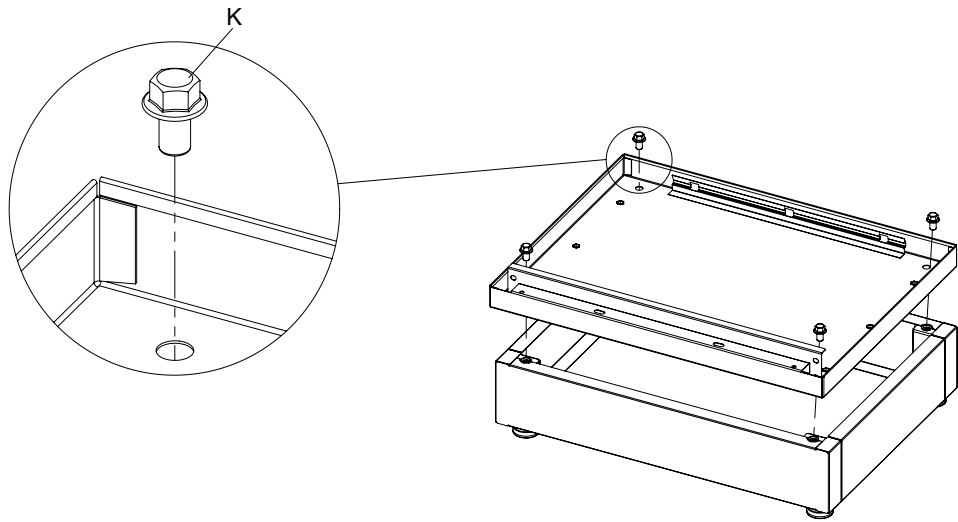


**STEP 1**



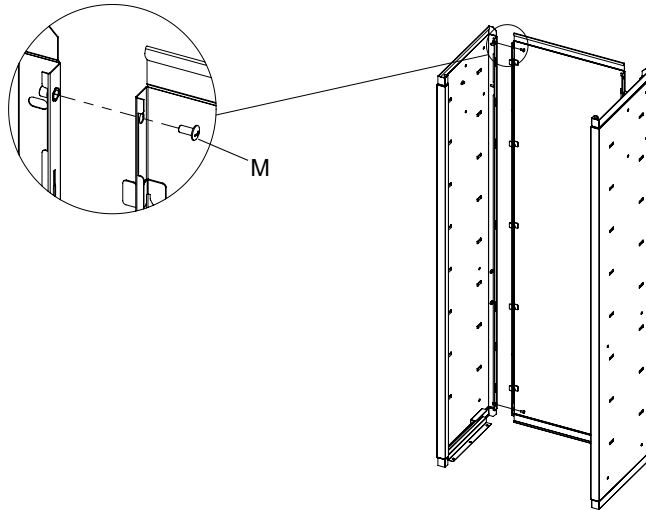
L: 8pcs

**STEP 2**



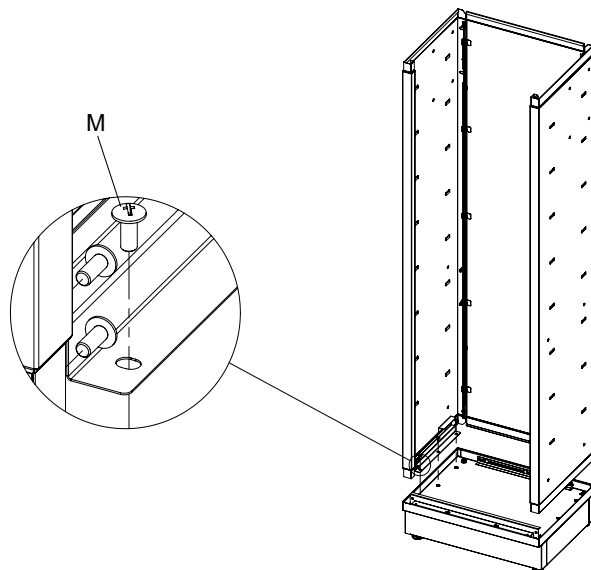
K: 4pcs

**STEP 3**



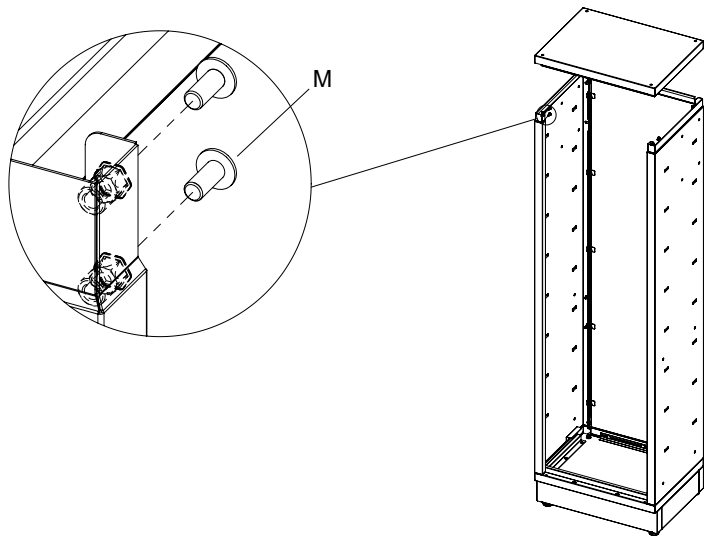
M: 4pcs

**STEP 4**



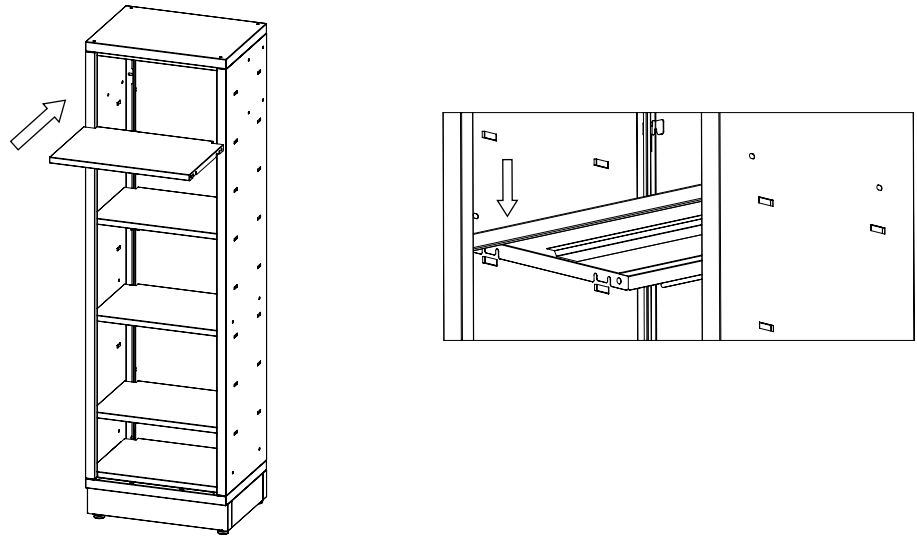
M: 10pcs

**STEP 5**

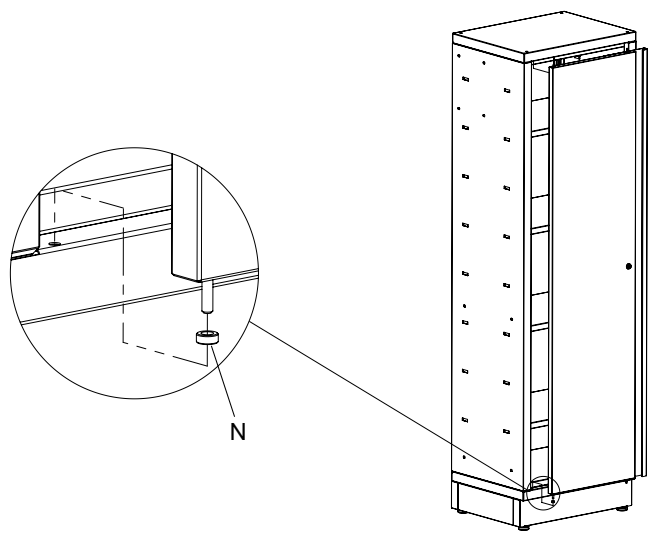


M: 4pcs

**STEP 6**

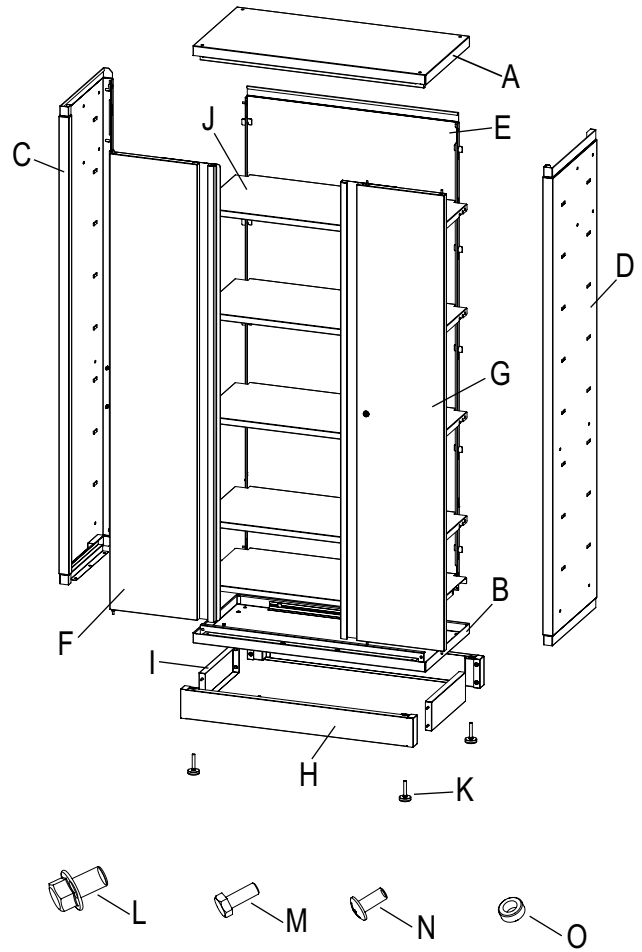


**STEP 7**

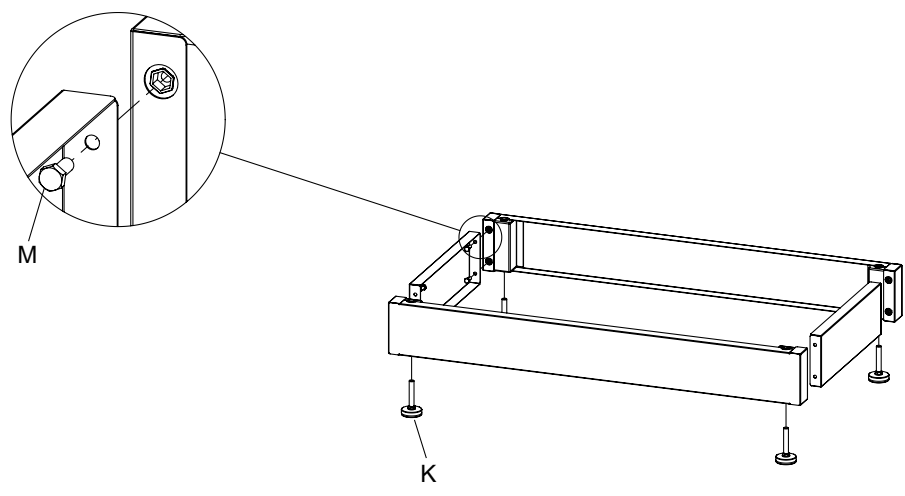


N: 1pc

Item	Description	Qty
A	Top Panel	1
B	Bottom Panel	1
C	Left Side Panel	1
D	Right Side Panel	1
E	Back Panel	1
F	Left Door	1
G	Right Door	1
H	Front Kick Panel	2
I	Side Kick Panel	2
J	Shelf Panel	4
K	Adjustable Feet	4
L	M10 x 16mm Bolt	4
M	M6 x 16mm Hex Bolt	16
N	M6 x 16mm Bolt	18
O	12 x 7 x 5mm Flat Washer	2

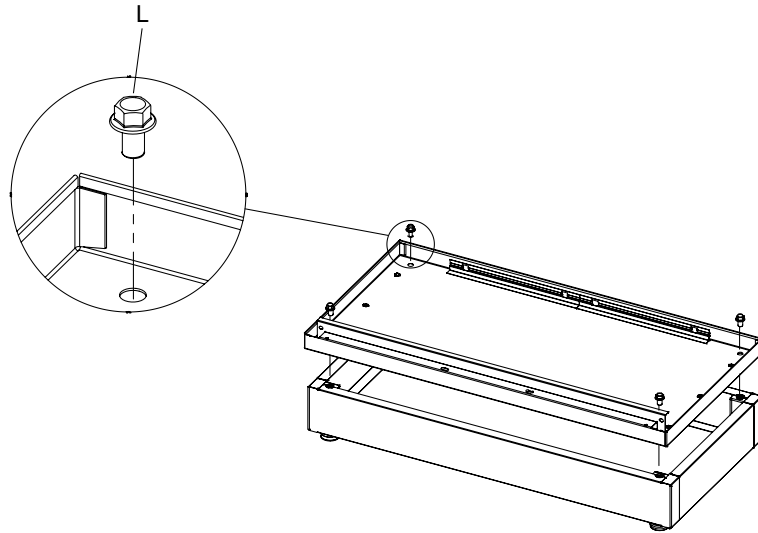


**STEP 1**



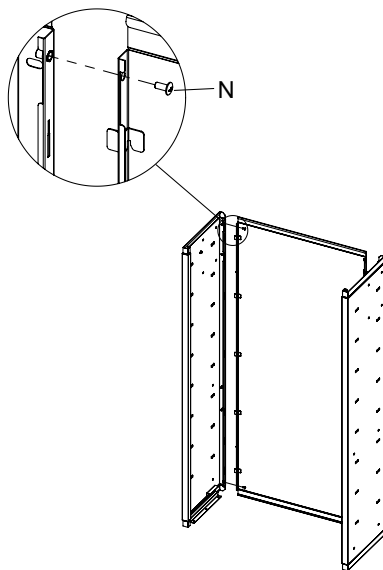
M: 8pcs

**STEP 2**



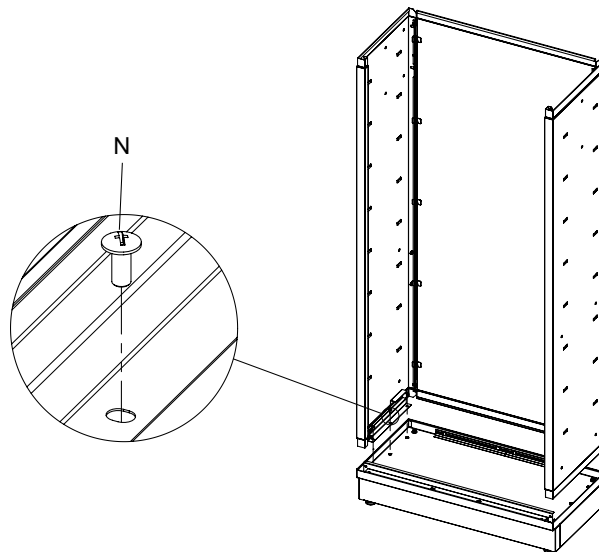
L: 4pcs

**STEP 3**



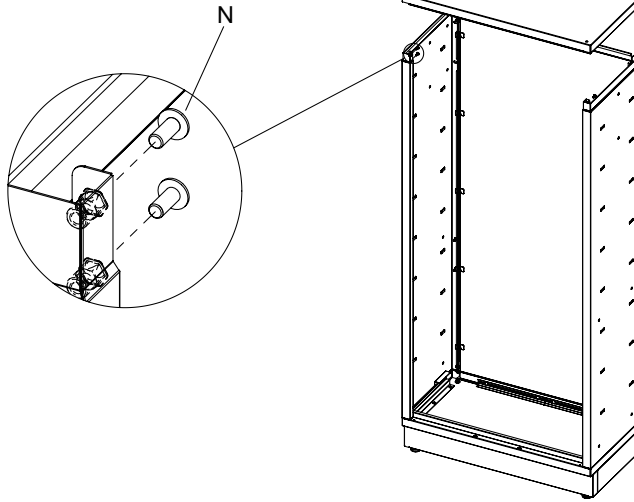
N: 4pcs

**STEP 4**



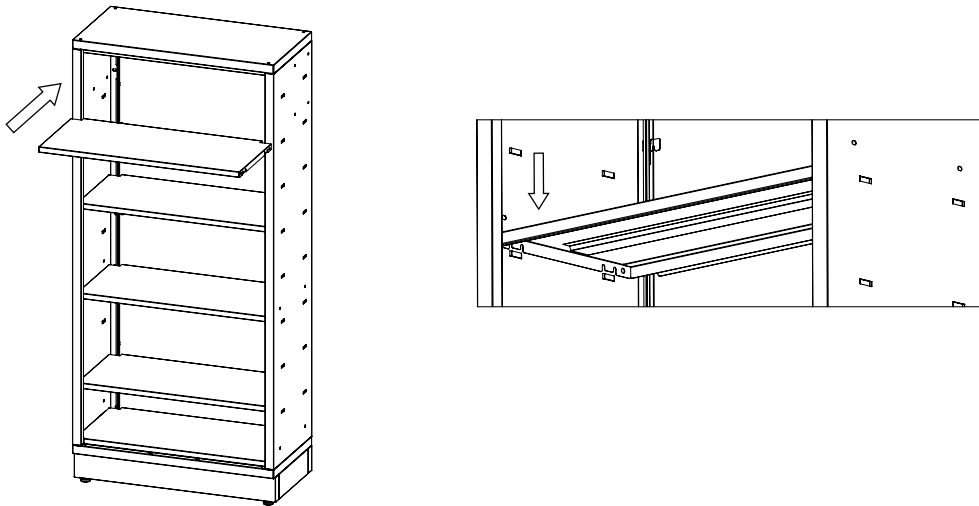
N: 10pcs

**STEP 5**

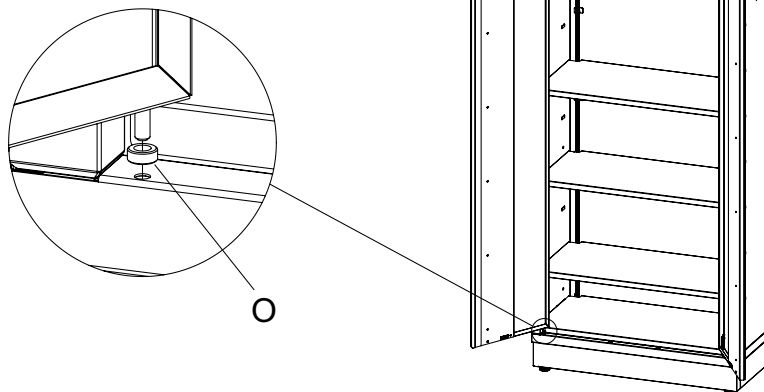


N: 4pcs

**STEP 6**

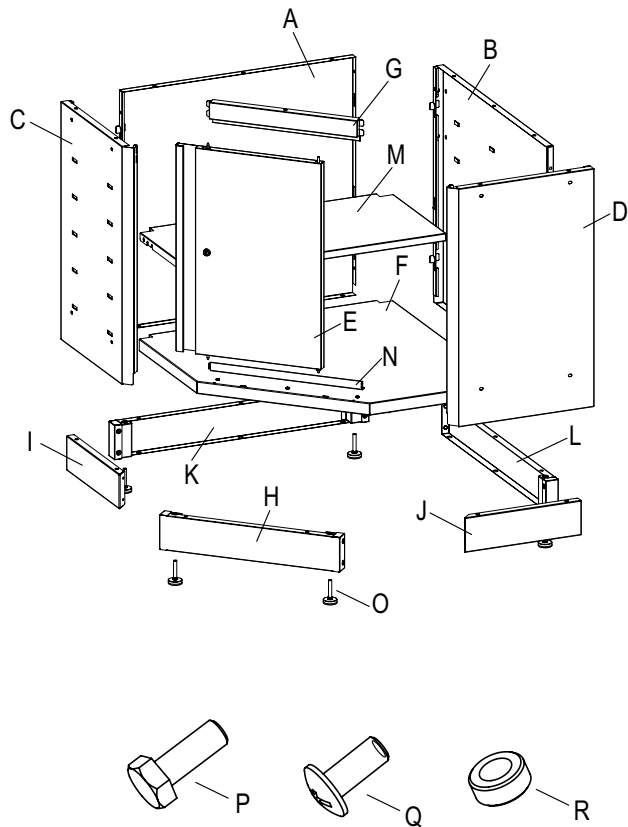


**STEP 7**

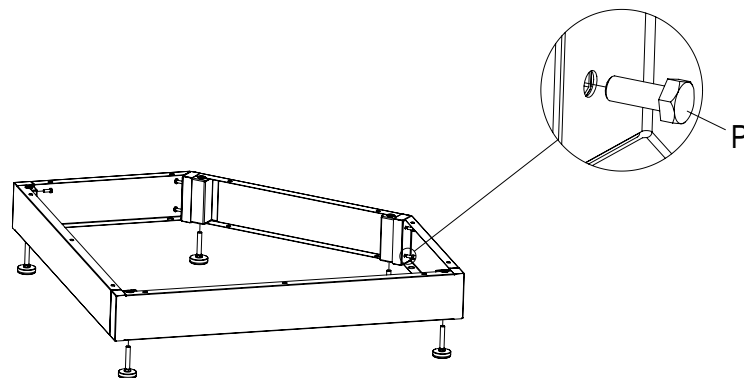


O: 2pcs

Item	Description	Qty
A	Left Back Panel	1
B	Right Back Panel	1
C	Left Side Panel	1
D	Right Side Panel	1
E	Door	1
F	Bottom Panel	1
G	Connecting Beam	1
H	Front Kick Panel	1
I	Left Side Kick Panel	1
J	Right Side Kick Panel	1
K	Left Back Kick Panel	1
L	Right Back Kick Panel	1
M	Shelf Panel	1
N	Door Stopper	1
O	Adjustable Feet	5
P	M6 x 16mm Hex Bolt	14
Q	M6 x 16mm Bolt	24
R	12 x 7 x 5mm Flat Washer	1

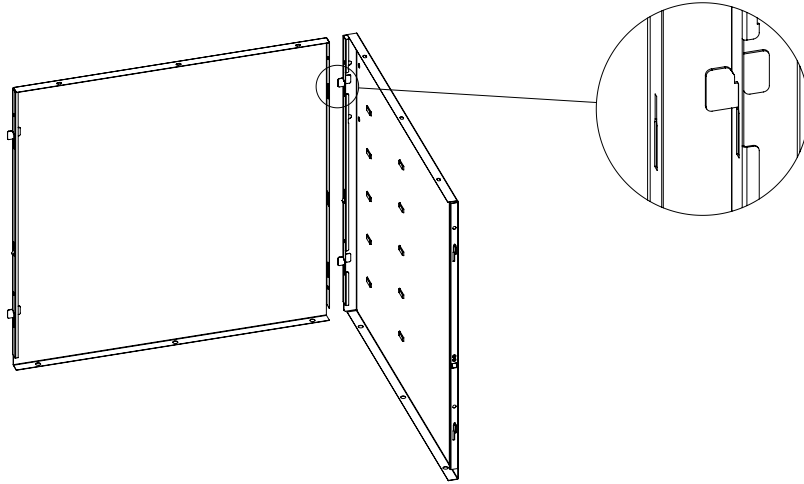


**STEP 1**

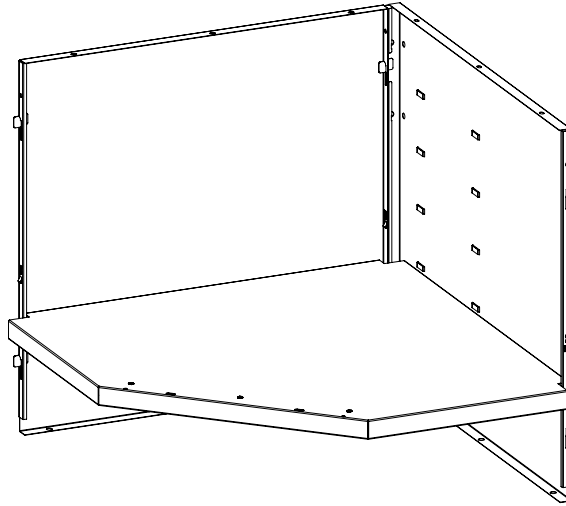


P: 10pcs

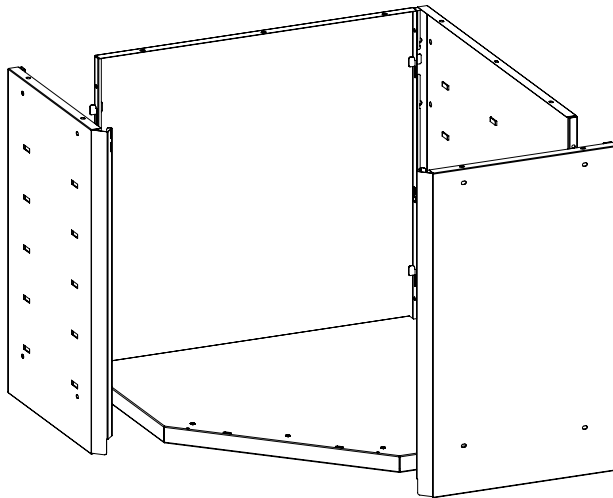
**STEP 2**



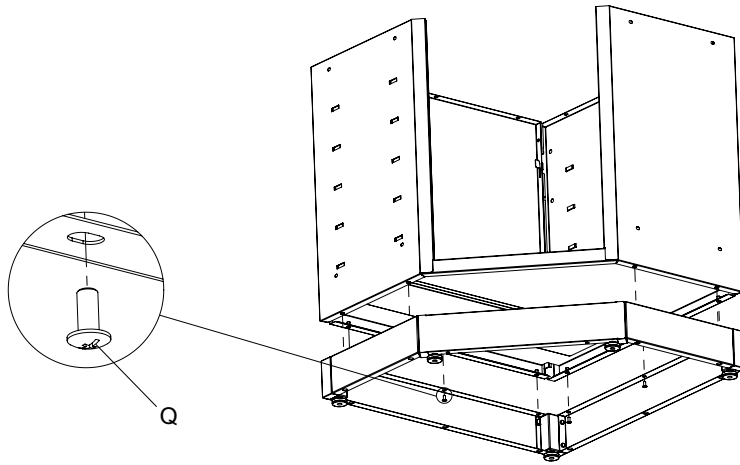
**STEP 3**



**STEP 4**

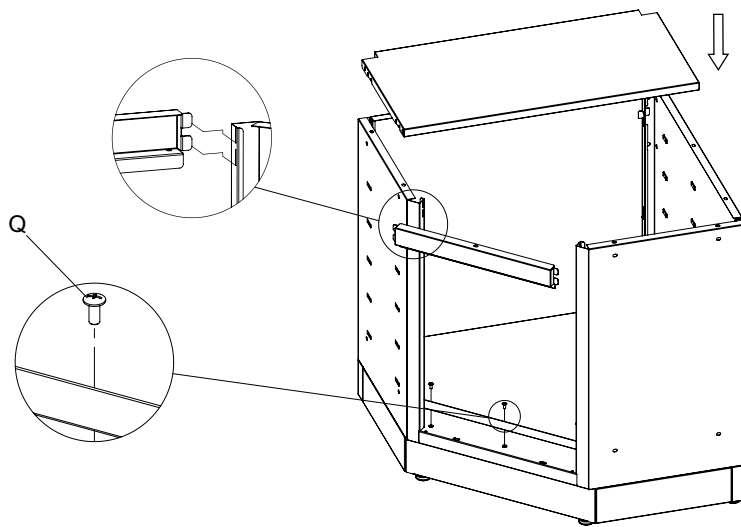


**STEP 5**



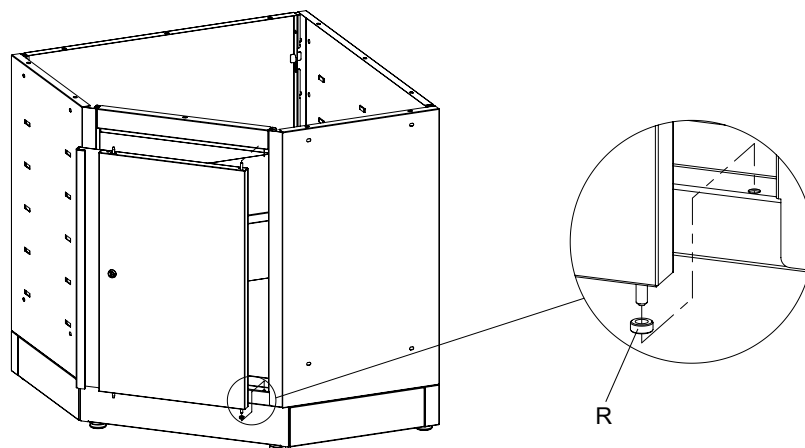
Q: 10pcs

**STEP 6**



Q: 3pcs

**STEP 7**



R: 1pc



#### ENVIRONMENT PROTECTION

Recycle unwanted materials instead of disposing of them as waste. All tools, accessories and packaging should be sorted, taken to a recycling centre and disposed of in a manner which is compatible with the environment. When the product becomes completely unserviceable and requires disposal, drain any fluids (if applicable) into approved containers and dispose of the product and fluids according to local regulations.



REGISTER YOUR  
PURCHASE HERE

**Note:** It is our policy to continually improve products and as such we reserve the right to alter data, specifications and component parts without prior notice.

**Important:** No Liability is accepted for incorrect use of this product.

**Warranty:** Guarantee is 5 years from purchase date, proof of which is required for any claim.

**Jack Sealey Ltd t/a Sealey Group**, Kempson Way, Suffolk Business Park, Bury St Edmunds, Suffolk, IP32 7AR UK  
**Jack Sealey (EU) Ltd t/a Sealey Group**, Farney Street, Carrickmacross, Co. Monaghan, A81 PK68 Ireland  
**Tel:** 01284 757500 · **Email:** sales@sealey.co.uk · **Web:** www.sealey.co.uk